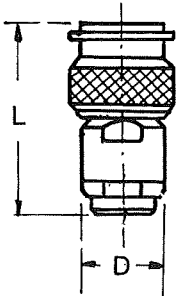
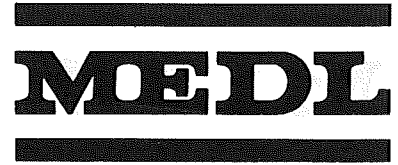
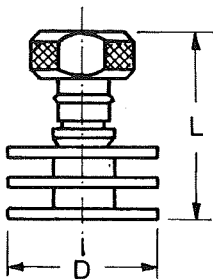


COAXIAL TERMINATIONS



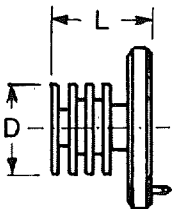
"TNC" TERMINATIONS 50 OHM

Type No.	Power (Watts)	Connector Type	Frequency Range (GHz)	VSWR (Max.)			L (mm)	D (mm)
				1 GHz =	2 GHz =	4 GHz =		
F8400-40	1	Male	DC-4	1.03	1.05	1.07	27.0	11.0
F8400-41	3	Male	DC-4	1.05	1.06	1.08	27.0	11.0
F8400-42	5	Male	DC-4	1.03	1.05	1.07	39.0	20.0
F8400-43	25	Female	DC-4	1.05	1.06	1.08	65.0	48.0



"4.1/9.5" TERMINATIONS 50 OHM

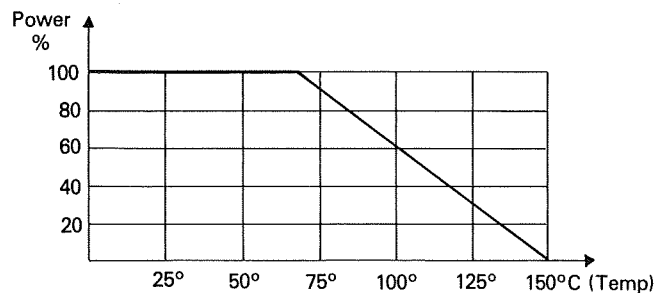
Type No.	Power (Watts)	Connector Type	Frequency Range (GHz)	VSWR (Max.)			L (mm)	D (mm)
				1 GHz =	2 GHz =	4 GHz =		
F8400-50	3	Male	DC-4	1.05	1.07	1.09	29.0	15.0
F8400-51	5	Flange	DC-4	1.05	1.07	1.09	34.0	40.0
F8400-52	15	Flange	DC-4	1.05	1.07	1.09	48.0	30.0
F8400-53	50	Male	DC-4	1.05	1.10	1.15	60.0	60.0
F8400-54	50	Female	DC-4	1.05	1.10	1.15	60.0	60.0



"7/16" TERMINATIONS 50 OHM

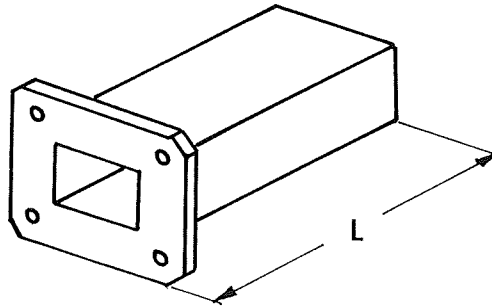
Type No.	Power (Watts)	Connector Type	Frequency Range (GHz)	VSWR (Max.)			L (mm)	D (mm)
				1 GHz =	2 GHz =	4 GHz =		
F8400-60	1	Flange	DC-4	1.02	1.04	1.06	47.0	25.0
F8400-61	5	Flange	DC-4	1.02	1.04	1.06	47.0	25.0
F8400-62	25	Male	DC-4	1.02	1.04	1.06	50.0	48.0
F8400-63	25	Female	DC-4	1.02	1.04	1.06	50.0	48.0
F8400-64	25	Female	DC-4	1.02	1.04	1.06	40.0	45.0
F8400-65	60	Female	DC-4	1.02	1.04	1.06	95.0	70.0

TYPICAL TEMPERATURE DERATING



NOTE: For any other connectors (SC, BNC, EIA 1/8", etc) power dissipation, frequency range, VSWR dimensions contact MEDL, Billerica.

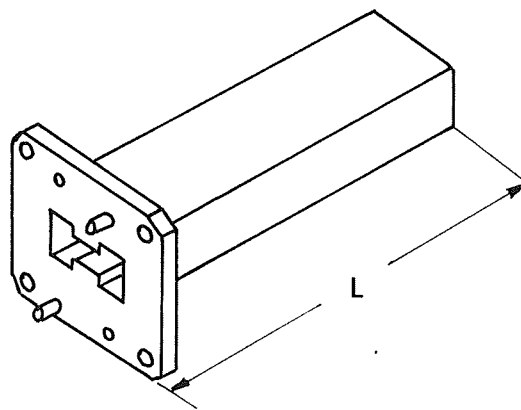
WAVEGUIDE TERMINATIONS



**LOW POWER
(Rectangular)**

Type No.	Frequency Range (GHz)	Waveguide Size		Power CW (Watts)	VSWR Max.	Flanges	L: Max (mm)
		WR	IEC				
F8410-01	2.60- 3.95	284	R 32	5	1.02	UG 53/U	279
F8411-01	3.30- 4.90	229	R 40	5	1.02	CMR 229	279
F8412-01	3.95- 5.85	187	R 48	5	1.02	UG 149 A/u	190.5
F8413-01	4.90- 7.05	159	R 58	4	1.02	CMR 159	178
F8414-01	5.85- 8.20	137	R 70	4	1.02	UG 344/4	178
F8415-01	7.05-10.00	112	R 84	2	1.02	UG 51/4	165
F8416-01	8.20-12.40	90	R 100	2	1.02	UG 39/u	150
F8417-01	10.00-15.00	75	R 120	2	1.02	UBR 120	80
F8418-01	12.40-18.00	62	R 140	2	1.02	UG 419/4	90

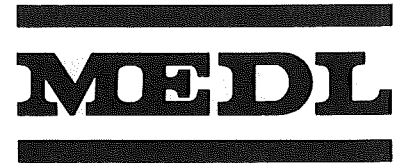
NOTE: For other dimensions, flanges and specifications consult the factory.



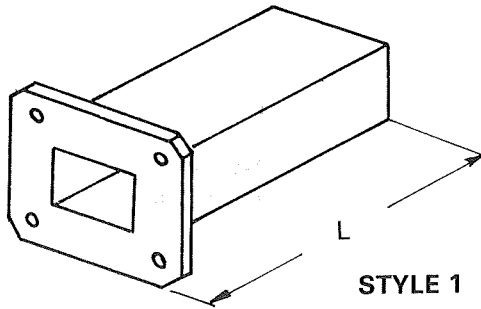
**DOUBLE-RIDGE
matched terminations**

Type No.	Frequency Range (GHz)	Waveguide Size	Power CW (Watts)	V.S.W.R. (Max)	Max. Overall Length (mm)
F8493-01	3.5 ÷ 8.2	WRD 350	1	1.02	305
F8493-30			10	1.10	305
F8494-01	4.75 ÷ 11.0	WRD 475	1	1.02	280
F8494-30			10	1.10	280
F8497-01	7.5 ÷ 18.0	WRD 750	1	1.02	229
F8497-30			10	1.10	229

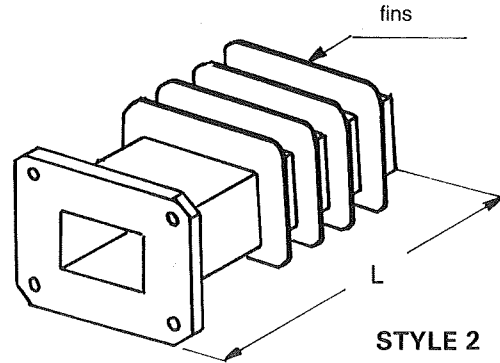
MEDIUM POWER WAVEGUIDE TERMINATIONS



MEDIUM POWER WAVEGUIDE TERMINATIONS



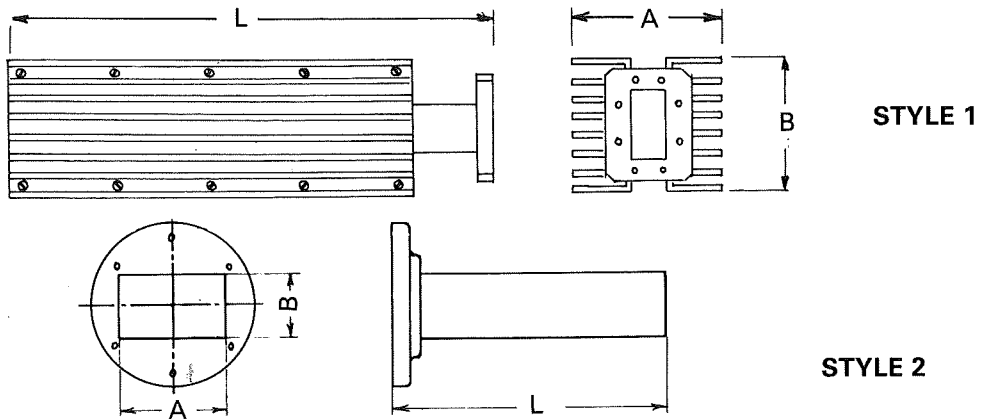
STYLE 1



STYLE 2

Type No.	Style	Frequency Range (GHz)	Waveguide Size		Power		VSWR (Max.)	Flanges	L (mm)
			WR	IEC	OW (Watt)	Peak (kW)			
F8410-30	1	3.6 ÷ 4.2	229	R 40	10	10	1.05	UER 40	45
F8410-31	1	3.6 ÷ 4.2	229	R 40	10	10	1.20	UER 40	24
F8410-32	2	3.6 ÷ 4.2	229	R 40	30	30	1.20	UER 40	24
F8410-33	1	3.6 ÷ 4.2	229	R 40	50	50	1.035	PDR 40	183
F8410-34	1	3.6 ÷ 4.2	229	R 40	50	50	1.035	UDR 40	183
F8410-35	1	3.6 ÷ 4.2	229	R 40	50	50	1.035	UER 40	183
F8413-30	1	5.9 ÷ 8.5	159	R 58	30	50	1.035	PDR 58	126
F8413-31	1	5.9 ÷ 8.5	159	R 58	30	30	1.035	UDR 58	126
F8413-32	1	5.9 ÷ 8.5	159	R 58	30	30	1.035	UER 58	126
F8414-30	1	5.9 ÷ 7.1	137	R 70	10	10	1.20	UAR 70	21
F8414-31	1	5.9 ÷ 7.1	137	R 70	10	10	1.20	UER 70	21
F8414-32	2	5.7 ÷ 8.5	137	R 70	20	20	1.20	UER 70	21
F8414-33	2	5.9 ÷ 7.1	137	R 70	20	20	1.20	UER 70	21
F8414-34	2	6.4 ÷ 7.125	137	R 70	20	20	1.20	UER 70	21
F8414-35	2	7.1 ÷ 7.750	137	R 70	20	20	1.20	UER 70	21
F8414-36	2	7.70 ÷ 8.50	137	R 70	20	20	1.20	UER 70	21
F8414-37	1	5.9 ÷ 8.5	137	R 70	30	30	1.035	PDR 70	110
F8414-38	1	5.9 ÷ 8.5	137	R 70	30	30	1.035	UDR 70	110
F8414-39	1	5.9 ÷ 8.5	137	R 70	30	30	1.035	PAR 70	110
F8414-40	1	5.9 ÷ 8.5	137	R 70	30	30	1.035	UAR 70	110
F8414-41	1	5.9 ÷ 8.5	137	R 70	30	30	1.035	UER 70	110
F8414-42	2	5.9 ÷ 8.5	137	R 70	50	50	1.035	UG 441/U	110
F8414-43	2	5.9 ÷ 8.5	137	R 70	50	50	1.035	PDR 70	110
F8414-44	2	5.9 ÷ 8.5	137	R 70	50	50	1.035	PAR 70	110
F8414-45	2	5.9 ÷ 8.5	137	R 70	50	50	1.035	UDR 70	110
F8414-46	2	5.9 ÷ 8.5	137	R 70	50	50	1.035	UAR 70	110
F8414-47	2	5.9 ÷ 8.5	137	R 70	50	50	1.035	UER 70	110
F8415-30	1	7.55 ÷ 8.50	112	R 84	10	10	1.10	UBR 84	37
F8415-31	1	7.225 ÷ 8.275	112	R 84	20	20	1.04	PDR 84	38
F8416-30	1	8.2 ÷ 12.4	90	R 100	20	20	1.04	UBR 100	74
F8416-31	1	8.2 ÷ 12.4	90	R 100	20	20	1.04	UG 39/U	74
F8416-32	2	8.2 ÷ 12.4	90	R 100	30	30	1.04	UBR 100	74
F8416-33	2	8.2 ÷ 12.4	90	R 100	30	30	1.04	UG 39/U	74
F8418-30	1	12.3 ÷ 14.7	62	R 140	20	20	1.04	UG 419/4	52
F8418-31	1	12.3 ÷ 14.7	62	R 140	20	20	1.04	UBR 140	52
F8418-32	2	13.3 ÷ 14.7	62	R 140	20	20	1.04	UG 419/U	52

HIGH POWER WAVEGUIDE TERMINATIONS



Type No.	Mount *	Style	Frequency Range (GHz)	Waveguide Size		Power		VSWR (Max)	Flanges	L (mm)	A (mm)	B (mm)
				WR	IEC	CW (Watt)	Peak kW					
F8410-60	V = H	2	2.6 ÷ 3.95	284	R 32	500	500	1.10	UG 584/U	210	76.2	38.1
F8410-61	H	1	2.6 ÷ 3.95	284	R 32	6000	3000	1.15	UG 584/U	711	220	220
F8412-60	V = H	2	3.94 ÷ 6.00	187	R 48	250	300	1.10	UG 407/U	210	50.8	25.4
F8413-60	H	1	5.9 ÷ 6.45	159	R 58	3000	1000	1.15	UAR 58	318	140	140
F8414-60	V = H	2	5.9 ÷ 6.45	137	R 70	80	100	1.12	UG 441/U	76	38.1	19.05
F8414-61	V = H	2	5.9 ÷ 6.45	137	R 70	200	200	1.06	UG 441/U	201	38.1	19.05
F8414-62	V	1	5.9 ÷ 6.45	137	R 70	500	500	1.10	UDR 70	250	67	64
F8414-63	V	1	5.9 ÷ 6.45	137	R 70	1000	1000	1.15	UG 44/U	373	105	105
F8414-64	V	1	5.9 ÷ 6.45	137	R 70	3500	1000	1.15	UG 44/U	525	160	128
F8414-65	H	1	5.9 ÷ 6.45	137	R 70	3500	1000	1.15	UG 44/U	430	120	120
F8414-66	H	(1)	5.9 ÷ 6.45	137	R 70	7000	2000	1.15	PDR 70	(1)	(1)	(1)
F8415-60	V = H	2	7.0 ÷ 10.0	112	R 84	50	50	1.10	UG 138/U	64	31.75	15.87
F8416-60	V = H	2	8.2 ÷ 12.4	90	R 100	100	100	1.10	UG 135/U	102	25.4	12.7
F8416-61	V = H	2	8.2 ÷ 12.4	90	R 100	250	300	1.10	UG 135/U	153	25.4	12.7
F8416-62	H	1	8.5 ÷ 9.6	90	R 100	1000	250	1.10	UG 135/U	251	76	76
F8416-63	V	1	8.5 ÷ 9.6	90	R 100	1000	250	1.10	UG 135/U	250	80	64
F8417-60	WC	1	14 ÷ 14.5	75	R 120	500	500	1.06	UBR 120	228	52	52
F8417-61	H	1	14 ÷ 14.5	75	R 120	1000	1000	1.10	UBR 120	240	100	100
F8418-60	V = H	2	14.5 ÷ 18.0	62	R 140	30	30	1.10	UG 419/U	32	17.83	9.93
F8418-61	H	1	14.0 ÷ 14.5	62	R 140	200	20	1.10	UG 419/U	206	34	34
F8418-62	H	1	12.4 ÷ 18.0	62	R 140	1250	200	1.20	UBR 140	215	100	100
F8418-63	H	1	12.4 ÷ 18.0	62	R 140	2000	200	1.10	UBR 140	350	100	100
F8418-64	V	(2)	14.0 ÷ 14.5	62	R 140	2500	250	1.15	UG 419/U	(2)	(2)	(2)

*V = vertical H = horizontal WC = water cooled

(1) Dummy load realised by 3 terminations and one hybrid

(2) Dummy load realised by 2 terminations and one hybrid

For any termination not included in the above tables consult MEDL, Billerica.